

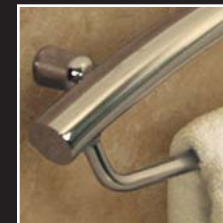


**Safety Enhanced
Bathroom Accessories**



Introducing the
Invisia Collection™

A series of luxurious bathroom accessories that also happen to be grab bars hidden in plain sight.



Accent Ring with Integrated Support Rail

Add a touch of elegance and just the right amount of support with the Accent Ring.

A unique and incredibly solid handrail designed to contour circular shower fixtures and provide support when accessing the controls.





Corner Shelf with Integrated Support Rail

Sleek curves and clever practicality never go out of style.

The Corian® shelf provides a generous surface that can be removed for easy cleaning while the reliable support rail is always within reach to offer a helping hand.

Soap Dish with Integrated Support Rail

Make a bold statement with this luxurious centerpiece.

Features an easy to clean removable Corian® soap dish, highlighted by an elegant circular support rail that provides just the right amount of assistance.





Invisia Collection™

Safety Enhanced Bathroom Accessories

Integrated support rails with a 350lbs/159kg weight capacity.

Professional grade construction and superior quality fittings ensure years of uncompromising support.

DuPont™ Corian® surfaces.

The soap dish, corner shelf and toilet roll holder all feature beautiful shatterproof surfaces that resist the growth of mold and bacteria.

Discreet wall stems with concealed screws.

Meticulously designed wall interface stems render mounting areas virtually invisible.

Multi-Contact wall support.

While two-point contact with the wall structure is standard for most support rails and bathroom accessories, much of the Invisia™ Collection overachieves with up to 4 points of contact for maximum structural support.

Towel Bar with Integrated Support Rail

Add a little flare to any bathing area.

The 16"/41cm or 24"/61cm towel bar provides ample space to display any towel set while the graceful arc of the integrated support rail creates a functional design element.





Toilet Roll Holder with Integrated Support Rail

Soft lines and graceful curves blend effortlessly with practicality and function.

Corian® shelves provide ample space for toilet roll storage or other items while the discrete hand rail offers trustworthy support.

SerenaSeat™ Fold Down Shower Seat

A soothing shower awaits with this spa inspired design. In the fold-away position, the SerenaSeat™ has an incredibly slim 3"/7.6cm profile.

A brushed aluminum frame accents the natural beauty of the Brazilian walnut panels. The removable back rest conceals the screws of the 15"/38cm mounting brackets, providing maximum wall contact to deliver an astounding 450lbs/205kg weight capacity.



Invisia™ Collection

Integrated support rails feature a 350lbs/159kg weight rating.
ADA Compliant rail diameter (1.25" / 3.2cm).

Finish / Material Options



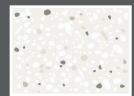
Powder Coat White on Stainless Steel.



Triple Chrome Plate on Steel

DuPont™ Corian® Surfaces

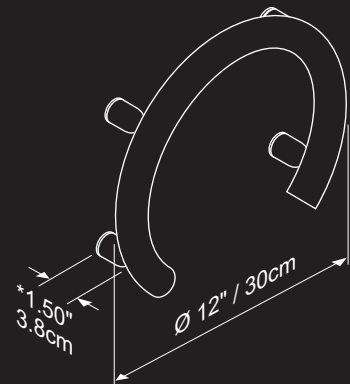
Shelf surfaces are shatterproof, nonporous and resist the growth of mold, mildew and bacteria.



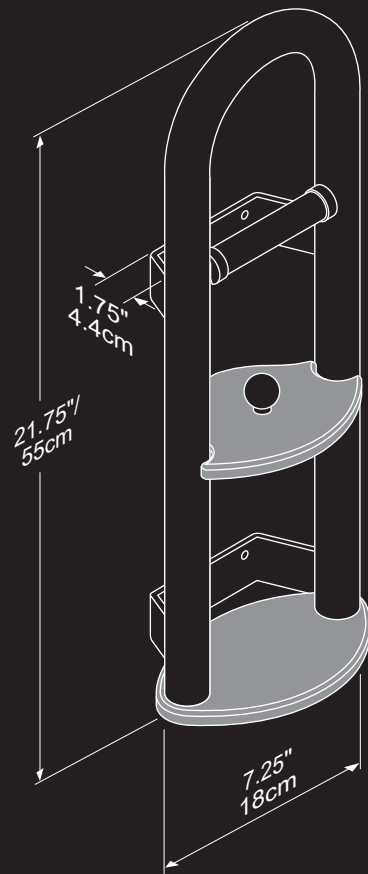
Everest

Product Dimensions

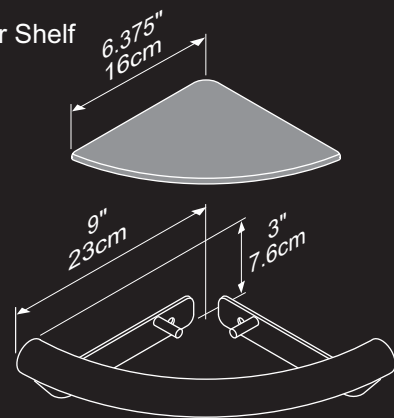
Accent Ring



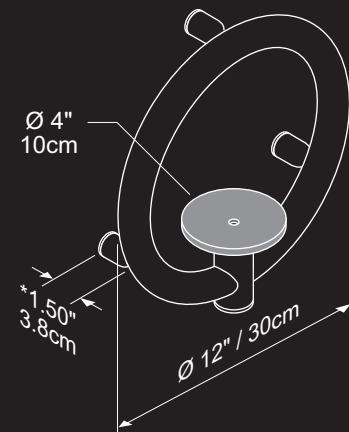
Toilet Roll Holder



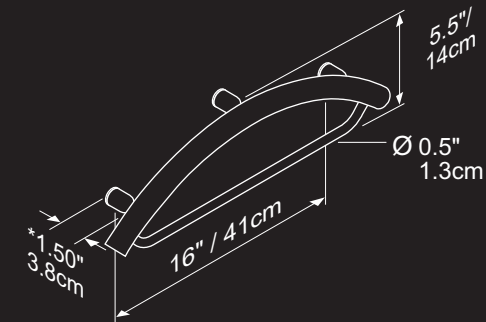
Corner Shelf



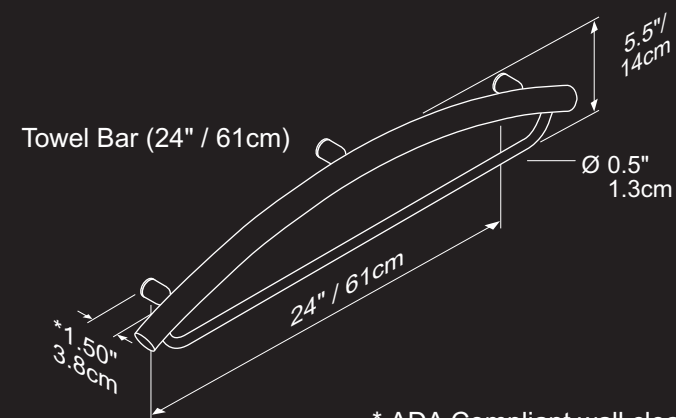
Soap Dish



Towel Bar (16" / 41cm)



Towel Bar (24" / 61cm)



* ADA Compliant wall clearance (1.50" / 3.8cm)

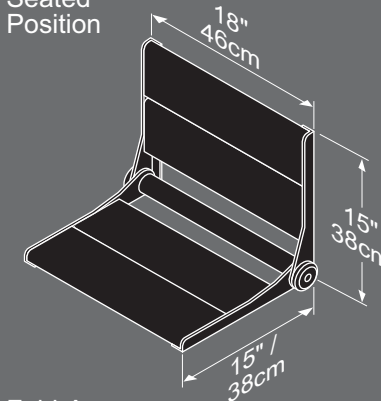
■ DuPont™ Corian® Surfaces

SerenaSeat™

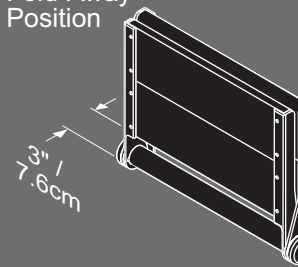
Fold down shower seat features a 450lbs/205kg weight rating.
Brushed aluminum frame supports Brazilian Walnut (Ipe) panels.

Product Dimensions

Seated Position



Fold-Away Position





Innovative Products for Independent Living.

For more safety products, visit www.healthcraftproducts.com



HealthCraft Products Inc. 2790 Fenton Road Ottawa, Ontario, Canada K1T 3T7
www.healthcraftproducts.com Toll Free: 1-888-619-9992 Fax: (613) 822-1886